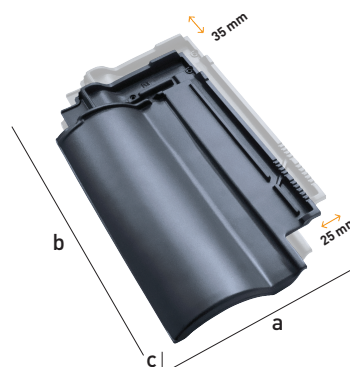


SELECTUM Data Sheet

Manufacturer: Cerámica La Escandella S.A.
 Production site: Agost (Alicante) - Spain
 Brand name: Selectum - TS

Dimensions*
A 468 mm / 18.4"
B 280 mm / 11"
C 75 mm / 2.9"

Longitudinal fit** 348 - 383 / 13.70 - 15.07"
 Transversal fit** 206 - 231 / 8.11 - 9.01"
 Pieces/m² - Pieces/sq 11 - 14 / 118.4 - 151
 Weight piece 3,5 kg / 7.71 lbs
 Units per pallet 240 / 320
 Weight per pallet 840 kg (1,852 lbs) / 1.120 kg (2,469 lbs)

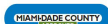


*The tile dimensions indicated in this chart allow a tolerance of approximately +/-2%
 **Theoretic value: this should be re-calculated on site with the tiles that are to be used.

Structural characteristics:	UNE EN 1304	≤ 2,5
Camber/Twist:	UNE EN 1024	L > 300mm ; ≤ 1,5
Impermeability (cm ³ / cm ² * day):	UNE EN 539-1	Mean value ≤ 0,5 ; Individual value ≤ 0,6
Flexural strenght:	UNE EN 538	≥ 1200
Frost resistance:	UNE EN 539-2	≥ 150
Fire reaction performance:	UNE EN 13501-1	A1
External fire performance:	UNE EN 13501-5	B _{roof}

Additional information

Unitary mass: 3500 gr
 Roof tiles number/m²: 12,5
 Length distance between battens: 30,6 cm (+1,75; -1,70 cm)
 Surface finish: Surface decoration with coloured engobes
 Fixing types: Nib, nail pre-fixing.



According to European standard

Test of frost resistance

Impermeability

Flexural strength test

Geometric characteristics